
USER GUIDER

POWERWALL (LiFePO4 Battery) of 51.2V5.12KWh

POWERWALL (LiFePO4 Battery) of 51.2V7.68KWh

POWERWALL (LiFePO4 Battery) of 51.2V10.24KWh

For Household Solar Storage System



1. Battery specifications

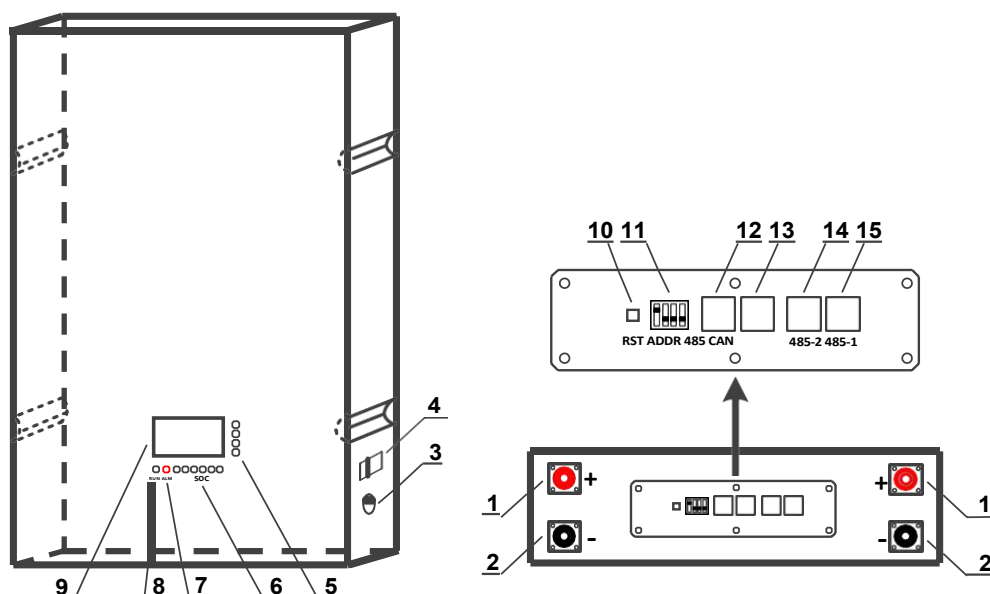
Battery Specifications			
Model No	PW-5000S/16S	PW-7000S/16S	PW-10000S/16S
Nominal Parameters			
Voltage	51.2V	51.2V	51.2V
Capacity	100Ah	150Ah	200Ah
Energy	5.12KWh	7.68KWh	10.24KWh
Dimensions(L*W*H)	550*520*175(200)	680*520*175(200)	850*520*175(200)
Weight	55kg	75kg	99kg
Basic Parameters			
Life time(25°C)	10 years		
Life cycles(80%DOD/25°C)	6000 Cycles		
Storage time/temperature	5 months @ 25°C ; 3 months @35°C; 1 month @ 45°C		
Operation temperature	-10°C~60°C @ 60±20% Relative Humidity		
Storage temperature	0°C~45°C @ 60±20% Relative Humidity		
Lithium Battery Standard	IEC62619, UL1642, UN38.3, MSDS		
Protection grade	IP21		
Electrical Parameters			
Operation voltage	51.2Vdc	51.2Vdc	51.2Vdc
Max. charging voltage	58 Vdc	58 Vdc	58 Vdc
Cut-off discharge voltage	44 Vdc	44 Vdc	44 Vdc
Max. charging and discharging current	100A	100A	100A

2. Introduction of the battery

2.1 Key Features

- ◆ LiFePO4 battery
- ◆ 51.2V200Ah(10.24KWh)
- ◆ Embedded smart BMS with OVP/UVP/DOCP/COCP/SCP/OTP protection and balance
- ◆ RS485&CAN communication interface to inverter
- ◆ 6000cycles(80%DOD@25°C)

2.2 Interface Introduction



No.	Name	Silk-screen	Remark
1	Positive	+	M8 screw nut/Red
2	Negative	-	M8 screw nut/Black
3	Power button	ON/OFF	
4	Breaker	Breaker	Output breaker
5	LCD Key	/	
6	SOC LED	SOC	State of Charge
7	ALM LED	ALM	Operation indicator
8	RUN LED	RUN	Alarm indicator
9	LCD	/	Display of battery info.
10	Reset button	RST	Reset the BMS
11	DIP switch	ADDR	Set the battery address
12	RS485	485	Battery and inverter communication port
13	CAN	CAN	Battery and inverter communication port
14	RS485 parallel port	485-2	Parallel communication port
15	RS485 parallel port	485-1	Parallel communication port

2.3 LED Indictor Guides

- ◆ Status indictor

RUN indicator	ON	Flash3
----------------------	----	--------

Note: Flash way

Flash way	ON	OFF
Flash1	0.25S	3.75S
Flash2	0.5S	0.5S
Flash3	0.5S	1.5S

2.4 Connectors

Charge/Discharge connectors: to connect the positive pole (+) and negative pole (-) from the battery to the inverter via DC isolator.

RS485/CAN: Active communication portal between battery and inverter.

USB To RS485-1: to get dynamic monitoring data of the battery from upper computer.

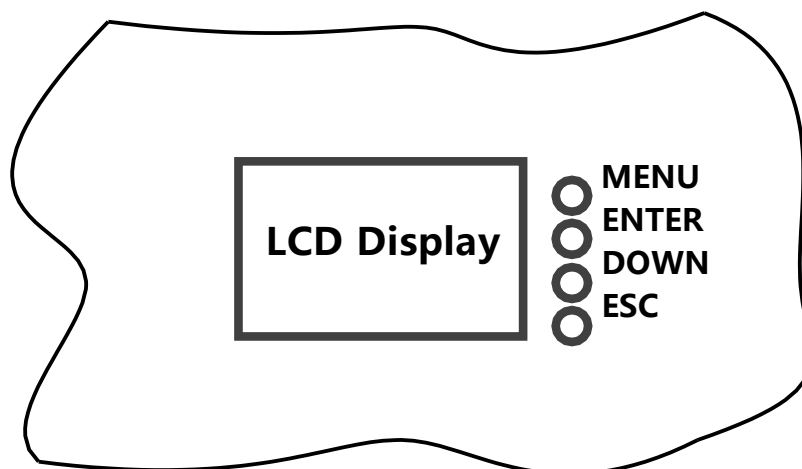
Address: Reserved Address portal for multiple parallel connections.

2.5 Wake up button

Battery On: When battery is shut down, press this RST button for 3 seconds. It is activated when the LED lights flicker from RUN light to the lowest capacity indicator.

Battery off: When battery is activated, press this button for 3 seconds. It will be shut down when the LED lights flicker from lowest capacity indicator to RUN light.

2.6 LCD Display Introduction

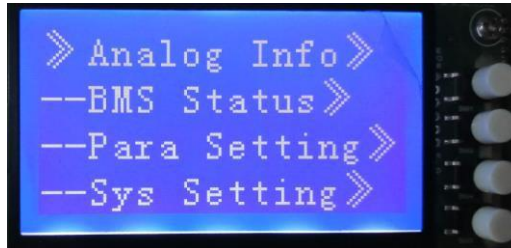


2.6.1 Screen Display



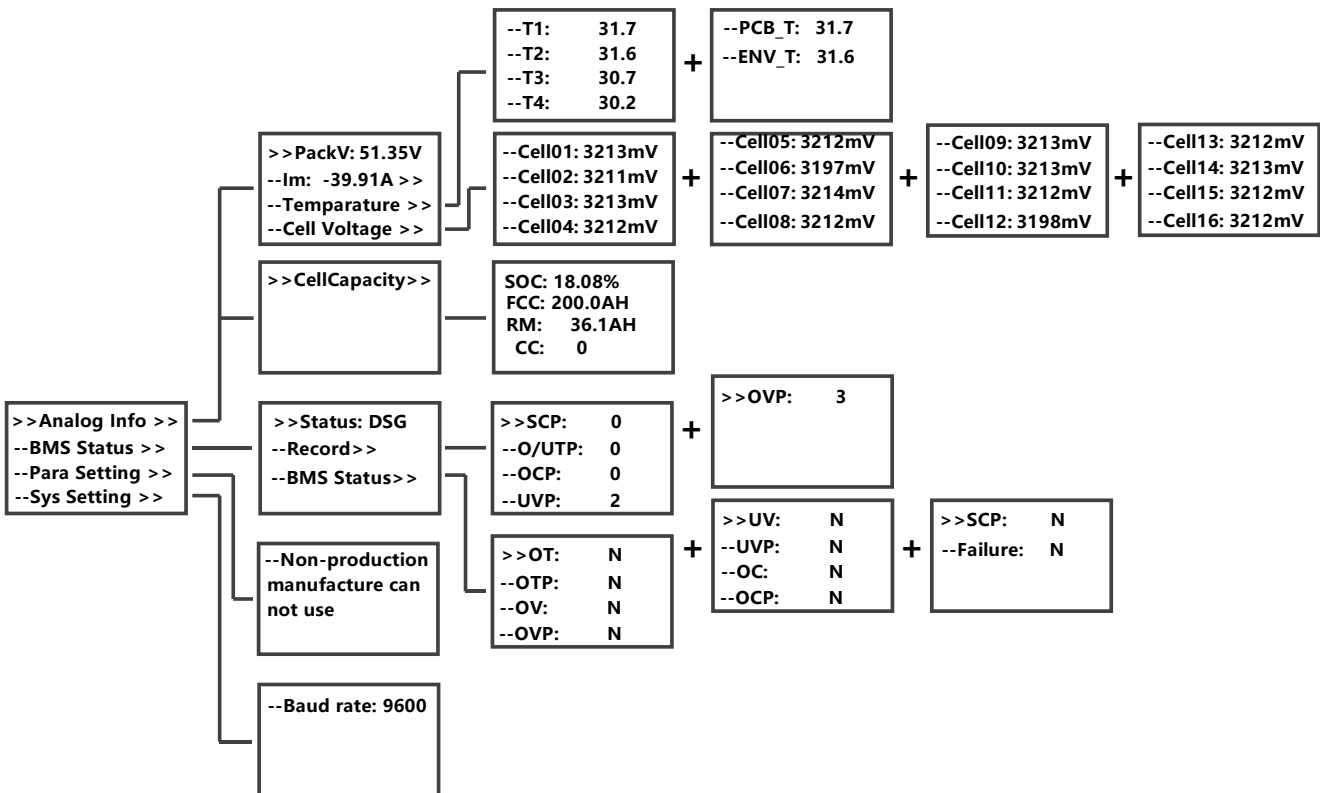
2.6.2 Function Specifications

◆ Menu page



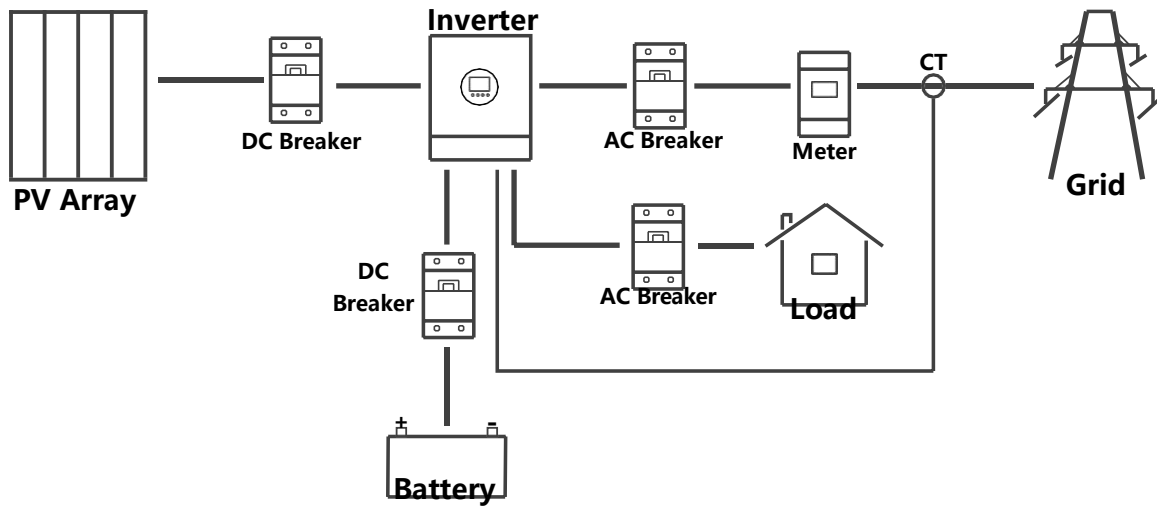
- ◆ Analog Info(PackV/Im/Temperature/Cell Voltage)
- ◆ BMS Status(Status/Record/BMS Status)
- ◆ Para Setting
- ◆ Sys Setting

Function diagram is as follows:



3. Safe handling guide

3.1 System Diagram



3.2 Tools

The following tools are required to install the battery pack:

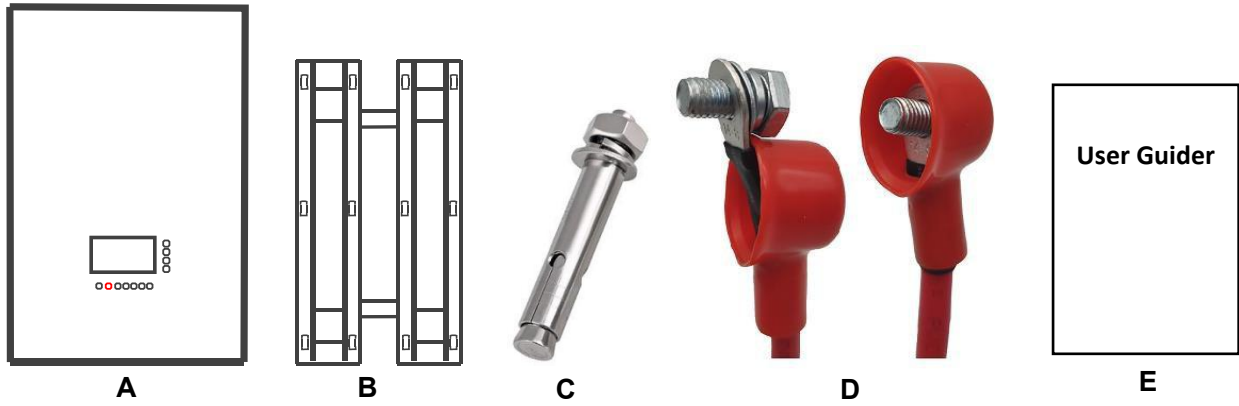
- ◆ Wire cutter
- ◆ Crimping Modular Plier
- ◆ Screw Driver

Note

- ◆ Use properly insulated tools to prevent accidental electric shock or short circuits.
- ◆ If insulated tools are not available, cover the entire exposed metal surfaces of the available tools, except their tips, with electrical tape.

4. Installation

4.1 Inventory of items

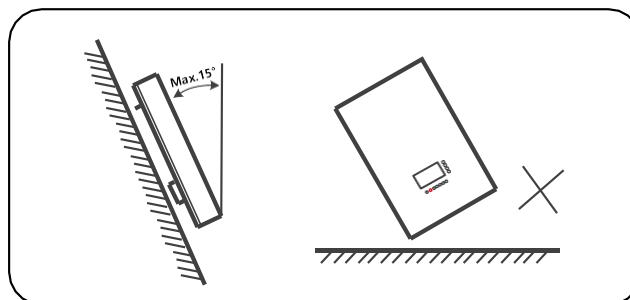


NO.	Item	Quantity	Specification
A	Battery Pack	1	5.12/7.68/10.24KWh
B	Mounting frame	1	SPCC
C	Mounting frame screw	12	M8*60mm
D	Power Cable (1.0m)	2	4AWG Wire - M8
E	User Guider	1	This document
Option	Parallel Power cable (1.0m)	2	6AWG Wire - M8
Option	Parallel com cable (1.0m)	1	RJ45

4.2 Installation Location

Make sure that the installation location meets the following conditions:

- ◆ The installation site must be suitable for the size and weight of the battery.
- ◆ Must be installed on a firm surface to sustain the weight of battery.
- ◆ The area is water proof.
- ◆ There are no flammable or explosive materials in proximity
- ◆ The ambient temperature is within the range from 0°C to 45°C.
- ◆ The temperature and humidity is maintained at a constant level.
- ◆ There is minimal dust and dirt in the area.
- ◆ Installation must be vertical or tilted backwards by maximum 15° - avoid forward or sideways stilt.



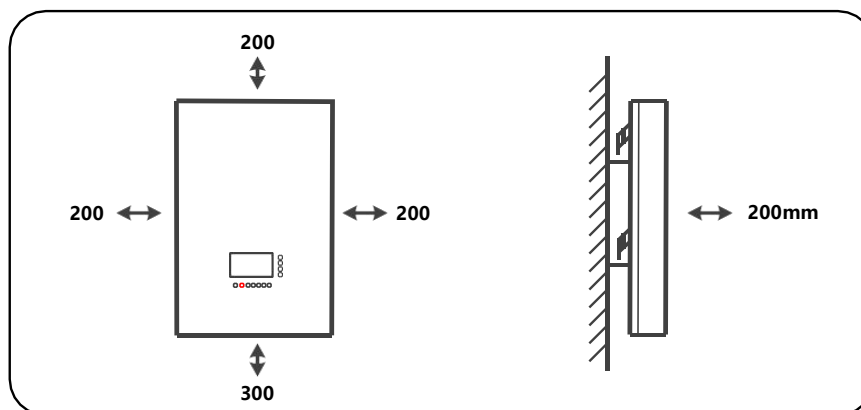
CAUTION

If the ambient temperature is outside the operating range, the battery pack stops operating to protect itself. The optimal temperature range for the battery pack to operate is 0°C to 45°C. Frequent exposure to harsh temperatures may deteriorate the performance and life of the battery pack.

◆ Minimum clearances

Observe the minimum clearances to walls, other batteries or objects as shown in the diagram and picture below in order to guarantee sufficient heat dissipation.

Direction	Minimum clearance (mm)
Above	200
Blow	300
Front	200
Sides	200



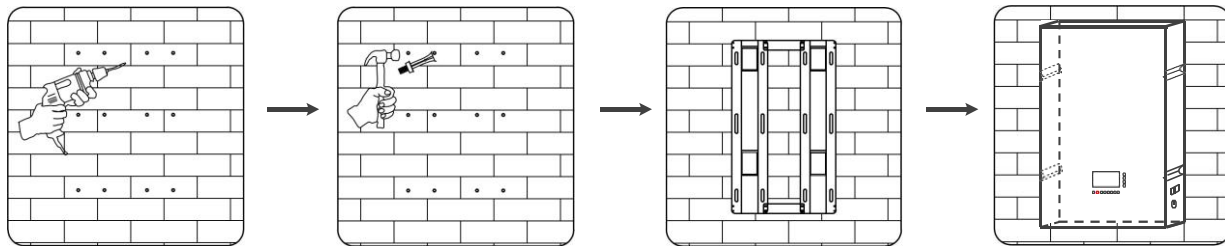
4.3 Installing the Battery Pack

CAUTION

In order to avoid electrical shock or other injury, inspect existing electronic or plumbing installations before drilling holes.

The battery is heavy, please handle with care to avoid damage to the product or injury to the installer.

- ◆ Choose suitable firm wall with thickness greater than 80mm.
- ◆ Use the mounting frame as a template, mark the hole position.
- ◆ Drill 12 holes according to the hole position, it is $\varnothing 10$ with depth 60mm.
- ◆ Hammer the M8 screws to the above holes, and screw the nut. Note: Do not position screws flush to the wall - leave 10 to 20 mm exposed.
- ◆ Fix the mounting frame to the 12 screws.
- ◆ Raise the battery a little higher than the mounting frame whilst maintaining the balance of the battery.
- ◆ Hang the battery on the frame through the match hooks.



CAUTION

Falling equipment can cause serious or even fatal injury: never mount the inverter on the bracket unless you are sure that the mounting frame is firmly mounted on the wall after thorough checking.

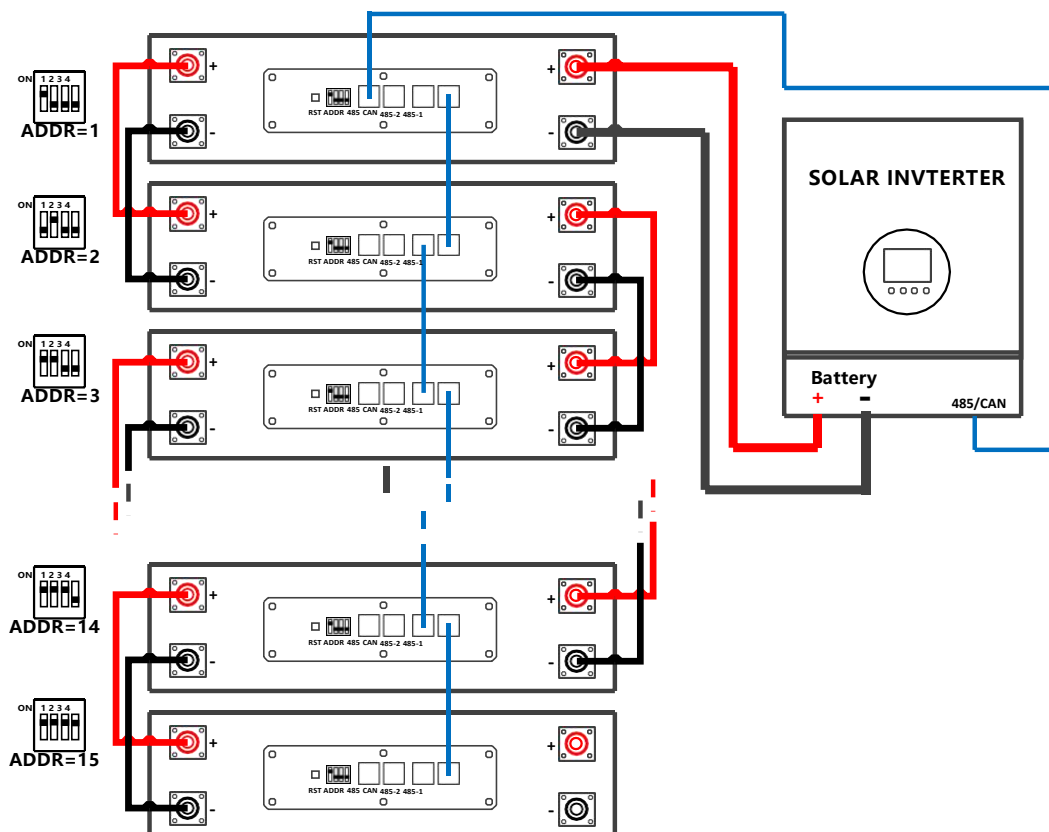
4.4 Parallel use of battery

◆ Parallel use of battery (All off grid solar inverters)

Powerwall battery is a smart battery to match all off grid solar inverter (48VDC) types. When the battery needs to be used in parallel, the maximum connection is 15 units, but we recommend 2-8 units according to application. When connecting with off grid 48VDC solar inverters, it does not need to add CAN/RS485 communication cables with inverters, if inverter brand factory does not have CAN/RS485 port, just plug and play use.

NOTE: Parallel power cable standard is **1 meter**. This is not standard cable in battery package.

For parallel cable quantity needed, please consult with sales manager for proper use and related quantity.



◆ Parallel use of battery (Allhybrid on-off grid solarinverters)

When the battery needs to be used in parallel, the maximum connection is 15 units.

with hybrid solar inverter, but we recommend to use 2-8 units according to application.

The application needs power and communication connections as below, choose suitable parallel power cables and related connectors.

NOTE: Parallel power standard is 1 meter. This is not standard cable in battery package.

For parallel cable issue, please consult related factory for proper use and related quantity.

◆ Battery Address Guideline

The battery address of DIP switch setting is as follows.

ADDR	1234	DIP	ADDR	1234	DIP	ADDR	1234	DIP	ADDR	1234	DIP
0	0000		4	0010		8	0001		12	0011	
1	1000		5	1010		9	1001		13	1011	
2	0100		6	0110		10	0101		14	0111	
3	1100		7	1110		11	1101		15	1111	

5. Warning

It is very important and necessary to read the user guider carefully before installing or using the battery. Failure to follow any of the instructions or warnings in this document can result in electrical shock, serious injury, death, or may damage the battery and the whole system.

- ◆ Do not short shirt positive and negative with wire or metal objects.
- ◆ If the battery is stored for a prolonged time, it is requirement that they are charged every three to six months, and the SOC should be no less than 60%.
- ◆ The battery needs to be recharged within 12 hours, after fully discharging.
- ◆ Do not expose cable outside.
- ◆ All battery terminals must be disconnected before maintenance.
- ◆ Do not use cleaning solvents to clean the battery.
- ◆ Do not expose the battery to flammable or harsh chemicals or vapors.
- ◆ Do not paint any part of the battery, include any internal or external components.
- ◆ Do not connect battery with PV solar wiring directly.
- ◆ Any foreign object is prohibited to be inserted into any part of the battery.
- ◆ Any warranty claims are excluded for direct or indirect damage due to items above.

5.1 Before Connecting

After unpacking, please check the battery and packing list first, if the battery is damaged or spare parts are missing, Please contact the dealer.

Before installation, be sure to cut off the grid power and make sure the battery is in the turned-off mode; Wiring must be correct, do not mix-connect the positive and negative cables, and ensure no short circuit with the external device;

It is prohibited to connect the battery with AC power directly;

The embedded BMS in the battery is designed for 48VDC, please Do not connect battery in series;

It is prohibited to connect the battery with different type of battery;

Please ensure the electrical parameters of battery system are compatible to inverter;

Keep the battery away from fire or water.

5.2 During operation

If the battery system needs to be moved or repaired, the power must be cut off first and the battery is completely shut down;

It is prohibited to connect the battery with different type of battery;

It is prohibited to put the batteries working with faulty or incompatible inverter;

In case of fire, only dry powder fire extinguisher can be used, liquid fire extinguishers are prohibited;

Please do not open, repair or disassemble the battery. We do not undertake any consequences or related responsibility due to violation of safety operation or violating of design, production and equipment safety standards.

6. Product warranty

6.1 If you have purchased this product from factory, you should be aware that this warranty is provided in addition to other rights and remedies held by a consumer at law.

6.2 You are entitled to a replacement or refund for a major failure and for compensation for any other reasonably foreseeable loss or damage. You are also entitled to have the goods repaired or replaced if the goods fail to be of acceptable quality and the failure does not amount to a major failure.

6.3 For the above mentioned products, you receive the factory warranty valid for 3-5 years from the date of delivery from factory. The factory warranty covers any costs for repair or spare parts during the agreed period beginning on the date of delivery of the device, subject to the following conditions.

6.4 Factory Warranty Scope

The factory warranty does not cover damages caused by following reasons:

- ◆ Breaking the product seal (the casing opened)
 - ◆ Transport damage
 - ◆ Incorrect installation or commissioning
 - ◆ Failure to observe the user manual, quick installation instructions
 - ◆ Incorrect usage or inappropriate operation
 - ◆ Insufficient ventilation of the device
-

-
- ◆ Failure to observe the applicable safety regulations
 - ◆ Force majeure

Neither does it cover cosmetic defects which do not influence the energy production.

6.5 Warranty conditions

If the battery becomes defective during the agreed factory warranty period and, unless this should be impossible or disproportionate, one of the following options will be selected at the discretion of factory:

- ◆ Battery repair or
- ◆ Battery repair at on-site, or
- ◆ Exchange for a replacement device of equivalent value with regard to model and age.

In the latter case, the remainder of the warranty entitlement will be transferred to the replacement device and your entitlement will be documented at factory.

Excessiveness in the meaning above exists in particular if the cost the measures for factor will be unreasonable.

- ◆ In view of the value that the device would have without the defect
- ◆ Taking in account of the significance of the defect, and
- ◆ After consideration of alternative work around possibilities at factory customers could revert to without significant inconvenience.

Please fill the required information in and send this page to factory when you need to apply warranty service support.

Warranty Card

User Information

Company/User Name:

Address:

Telephone:

Email:

Project installation location:

Product Information

Battery Model:

Serial No:

Invoice Number:

Purchase Date:

Dealer:

Commission date:

Fault/Error Description:
